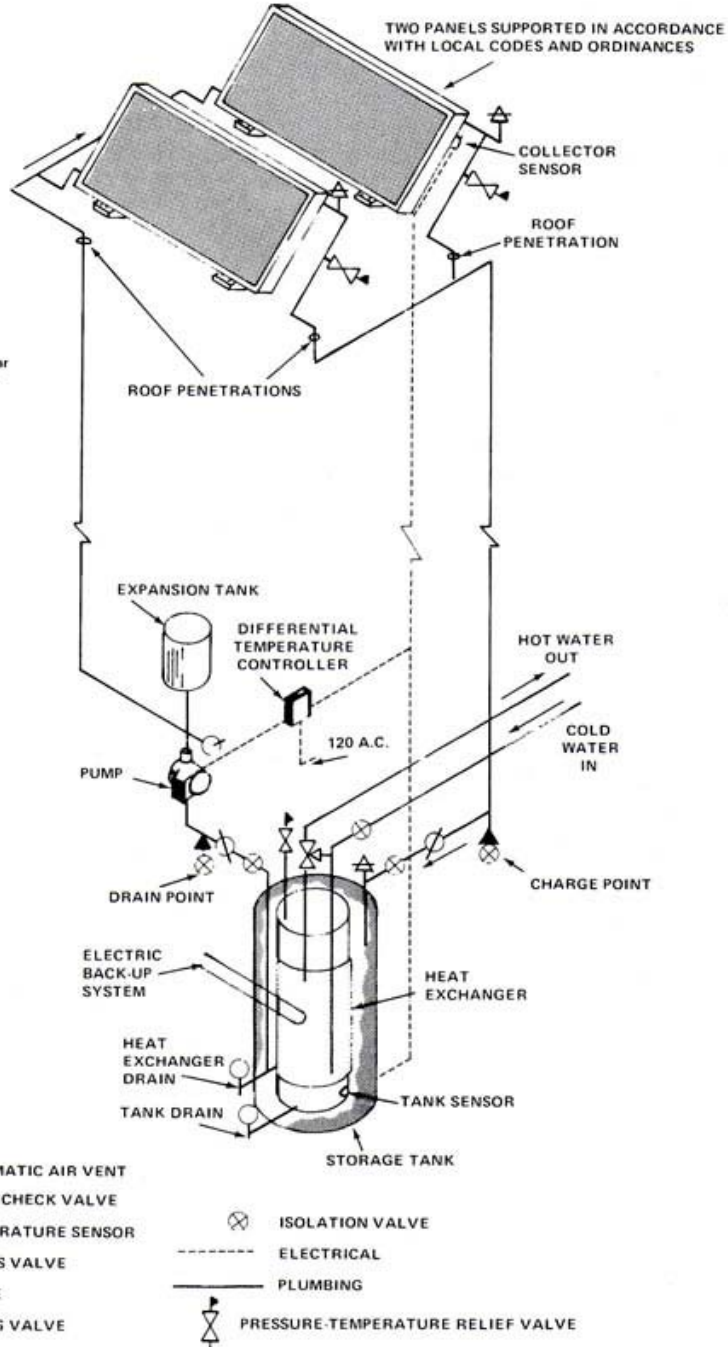


NOTE:
This schematic diagram is shown as an example only. Your particular system may require more or fewer components than are shown.



SAMPLE SYSTEM DIAGRAM